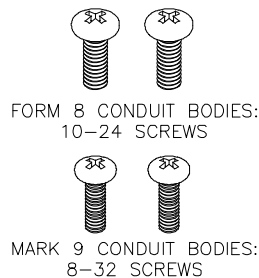
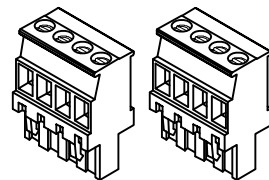
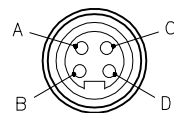


MALE END VIEWS

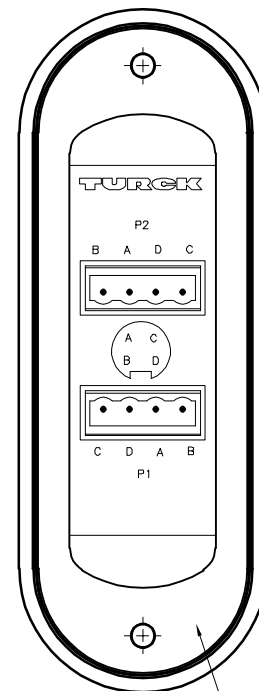
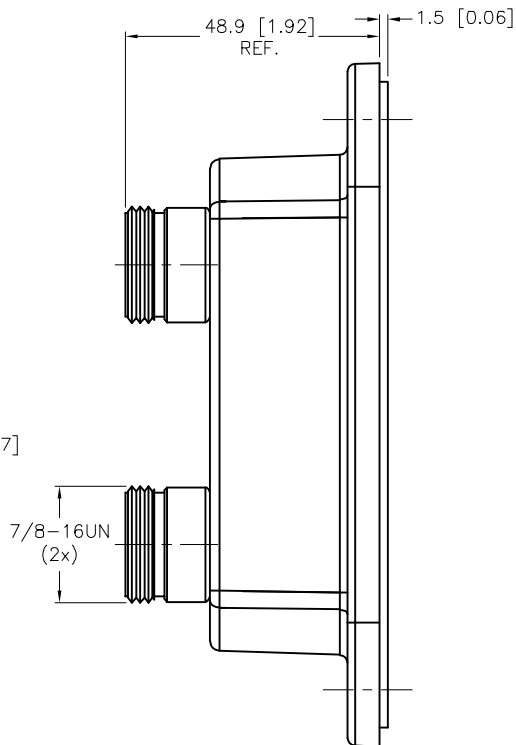
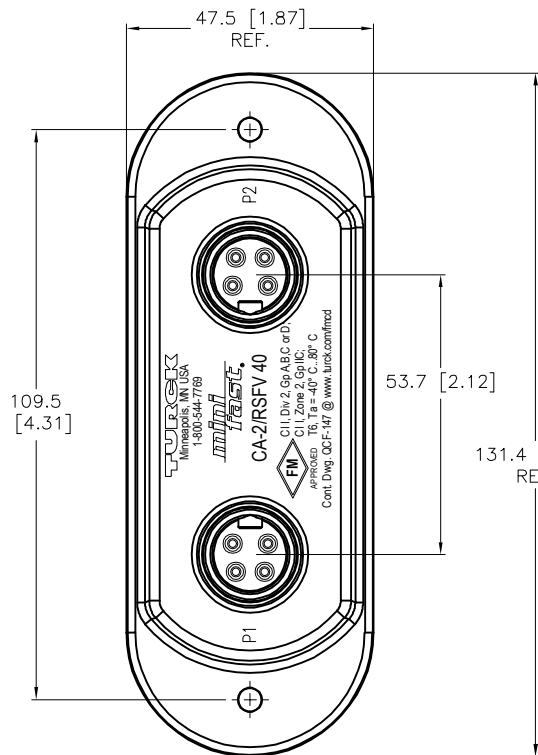
TERMINAL PLUGS INCLUDED

COVER SCREWS INCLUDED

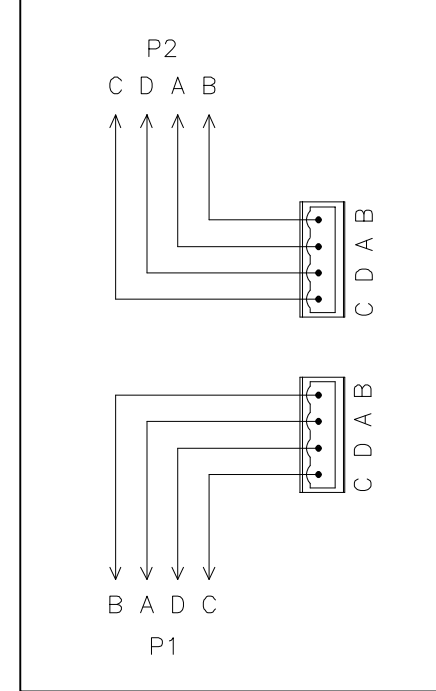


SPECIFICATIONS

| | |
|------------------------------------|---|
| HOUSING MATERIAL/COLOR | NYLON 66 - 33% GLASS FILLED/BLACK |
| RECEPTACLE HOUSING MATERIAL/FINISH | STAINLESS STEEL/PASSIVATED |
| CONTACT CARRIERS/COLOR | TPU/BLACK |
| CONTACT MATERIAL/PLATING | BRASS/GOLD |
| OPERATING VOLTAGE | 250 V |
| OPERATING CURRENT | 9.0 A PER CONDUCTOR |
| PROTECTION CLASS to DIN 40050 | IP 67 - ONLY WHEN ALL RECEPTACLES ARE COVERED WITH PLUGS OR CONNECTED |
| OPERATING TEMPERATURE | -30°C to +80°C (-22°F to +176°F) |



WIRING DIAGRAM



SOURCE DRAWING - FOR REFERENCE ONLY

| | | | | | | | |
|---|--------------------------|--|---|--|------------------------------------|--------------------------------|----------|
| RELATED DOCUMENTS 1. 2. 3. 4. | 3RD ANGLE PROJECTION | THIS DRAWING IS CONFIDENTIAL AND THE PROPERTY OF TURCK INC. USE OF THIS DOCUMENT WITHOUT WRITTEN PERMISSION IS PROHIBITED. | | 3000 CAMPUS DRIVE MINNEAPOLIS, MN 55441 1-800-544-7769 (763) 553-7300 (763) 553-0708 fax www.turck.us | | | |
| | | MATERIAL SEE SPECIFICATIONS | DRFT RDS APVD | DATE 03/15/10 SCALE 1=1.5 | DESCRIPTION CA-2/RSFV 40 | | |
| | | FINISH SEE SPECIFICATIONS | UNIT OF MEASUREMENT MILLIMETER [INCH] | | IDENTIFICATION NO. U2-17099 | | REV F |
| | | ALL DIMENSIONS DISPLAYED ON THIS DRAWING ARE FOR REFERENCE ONLY CONTACT TURCK FOR MORE INFORMATION | | DO NOT SCALE THIS DRAWING | | FILE: U2-17099 SHEET 1 OF 1 | |



| | | | | |
|-----|---------------|----|----------|---------|
| F | UPDATE CLICHE | NF | 10/21/25 | 81452 |
| REV | DESCRIPTION | BY | DATE | ECO NO. |